

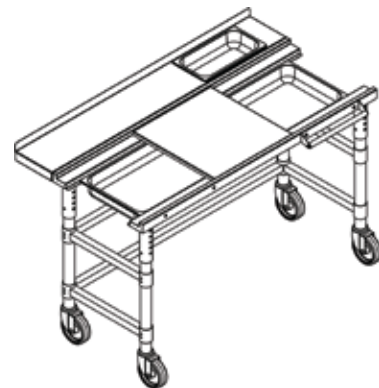
G2G Trim Station & G2G Workbench

G2G TRIM STATION

The G2G Trim Station is the perfect solution for a movable, trimming area. All Good 2 Grow Trim Stations are manufactured with corrosion resistant stainless steel. The G2G Trim Stations have movable compartments making moving finished product easy. Equipped with industrial grade TPR casters and brakes, G2G Trim Stations can move freely and are simple to secure into place. G2G Trim Stations are height adjustable, perfect for any worker.



G2G Trim Station	
Dimensions (cm)	121.9 x 71.4 x 100-110
Height Levels	5
Weight (kg)	30
Stainless Steel Types	#201, #304, #316



G2G WORKBENCH

The G2G Workbenches are engineered to help clients easily clean worksurfaces. The G2G Workbenches are customizable to larger lengths to meet our clients demands, standard lengths are 182.9 cms and 243.8 cms. Each G2G Workbench is manufactured to meet stringent Canadian cannabis regulations and Canadian Good Manufacturing Practices. Each G2G Workbench has an optional lower shelf for users to store items.



G2G Workbench	
Dimensions (cm)	182.9/243.8 x 76.2 x 90.2
Lower level shelf	Optional
Weight (kg)	37/50
Stainless Steel Types	#201, #304, #316, #430
Customizable	Yes